

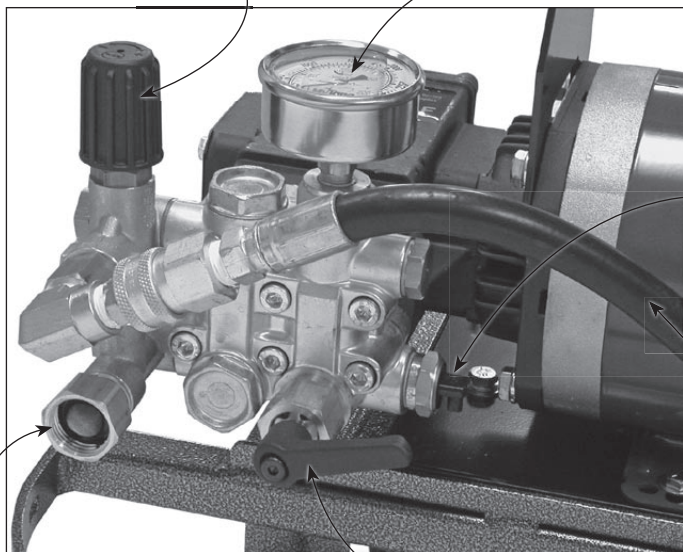
# M20 Parts Breakdown

from MyTana Mfg. Co., Inc.

Serving the sewer and drain cleaning industry since 1957

Unloader (pressure regulator)

Pressure gauge



Thermal relief valve

Jumper hose

Garden hose hook-up

Pulse abler valve



The M20 removes from the cart as needed



Vented plug

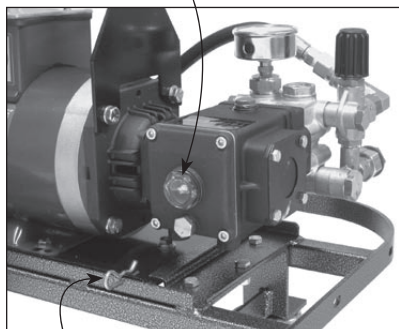
20 AMP circuit  
NOW REQUIRED



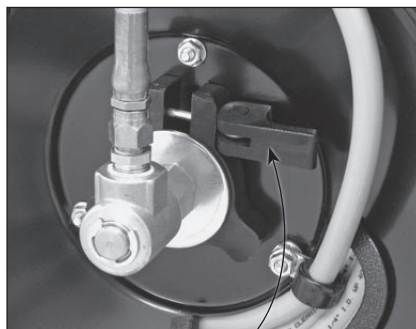
Oil level sight glass

On/Off switch

Reel rotation lock-pin



Lock-pin



Reel rotation "drag" adjustor



746 Selby Ave St. Paul, MN 55104

800-328-8170 Fax: 651-222-1739 www.mytana.com

The M20 ships complete with the accessories shown below.

