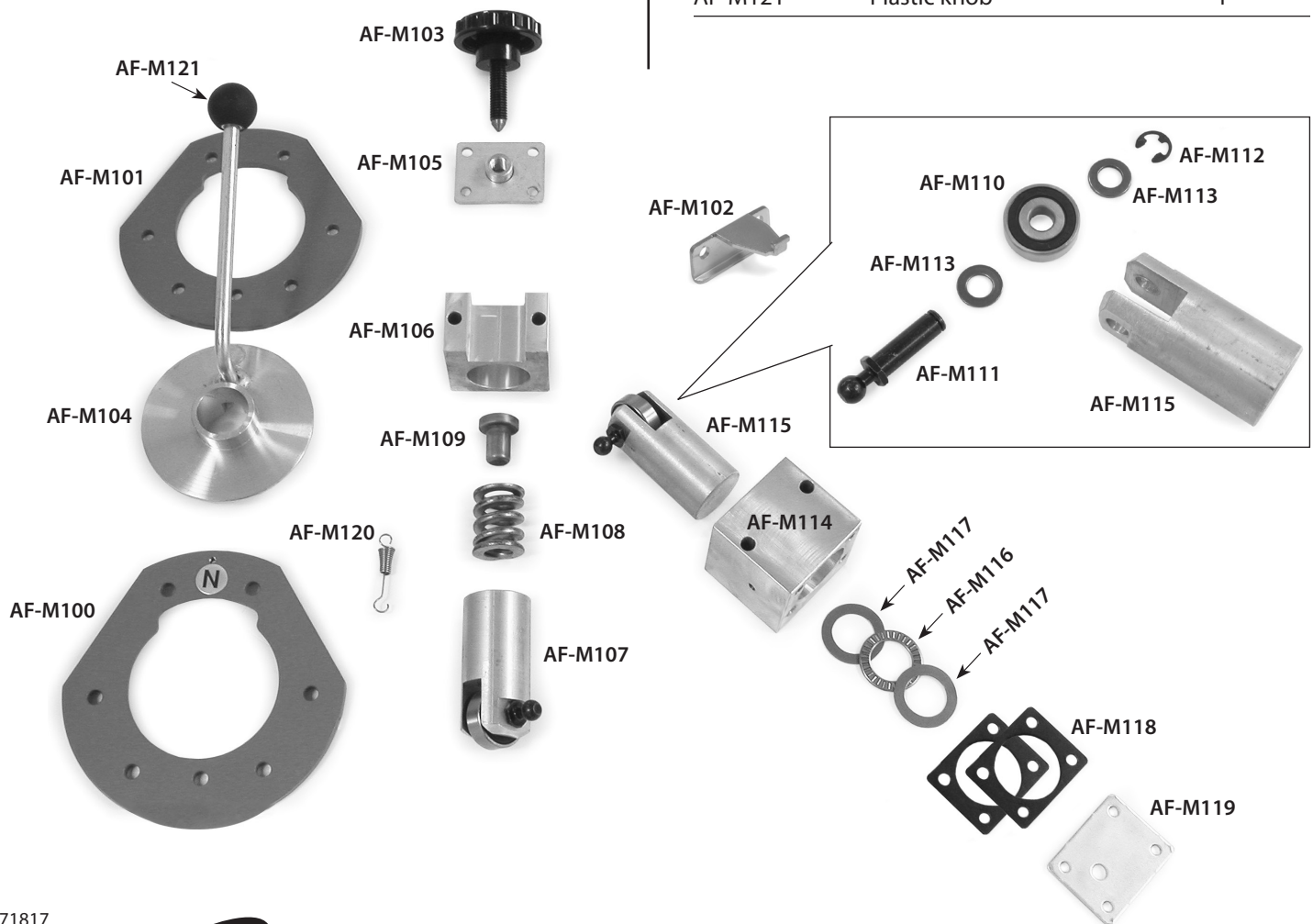


Parts Breakdown for the MyTana MINI Autofeed/Retriever

Part #	Description	Qty Per Unit
AF-M100	Front disc	1
AF-M101	Rear disc	1
AF-M102	Mounting bracket	1
AF-M103	Hand knob	1
AF-M104	Movement assembly	1
AF-M104P	Movement stop pin	1
AF-M105	Upper end plate	1
AF-M106	Long (top) housing	1
AF-M107	Upper piston (hollow)	1
AF-M108	Spring	1
AF-M109	Pressure pad	1

Part #	Description	Qty Per Unit
AF-M110	Drive wheel (bearing)	3
AF-M111	Drive pin	3
AF-M112	Spring retainer	3
AF-M113	Spacer	6
AF-M114	Short housing	2
AF-M115	Lower piston (solid)	2
AF-M116	Thrust bearing	2
AF-M117	Thrust race	4
AF-M118	Spacer plate	2
AF-M119	Lower end plate	2
AF-M120	Conical spring	1
AF-M121	Plastic knob	1



071817



www.MyTana.com

746 Selby Ave • St. Paul MN, 55104
fax: 651.222.1739

1.800.328.8170

Factory Direct Customer Service
M-F 7am - 5pm CST
Competent • Polite • Clear