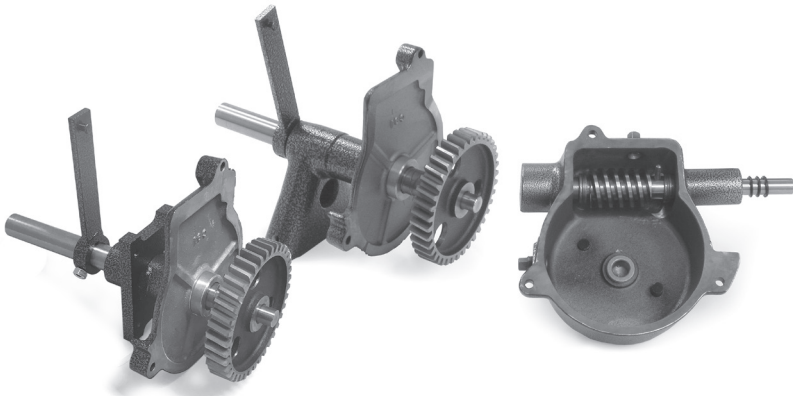


MyTana's Gear Box Breakout *for M81, M888, M98*



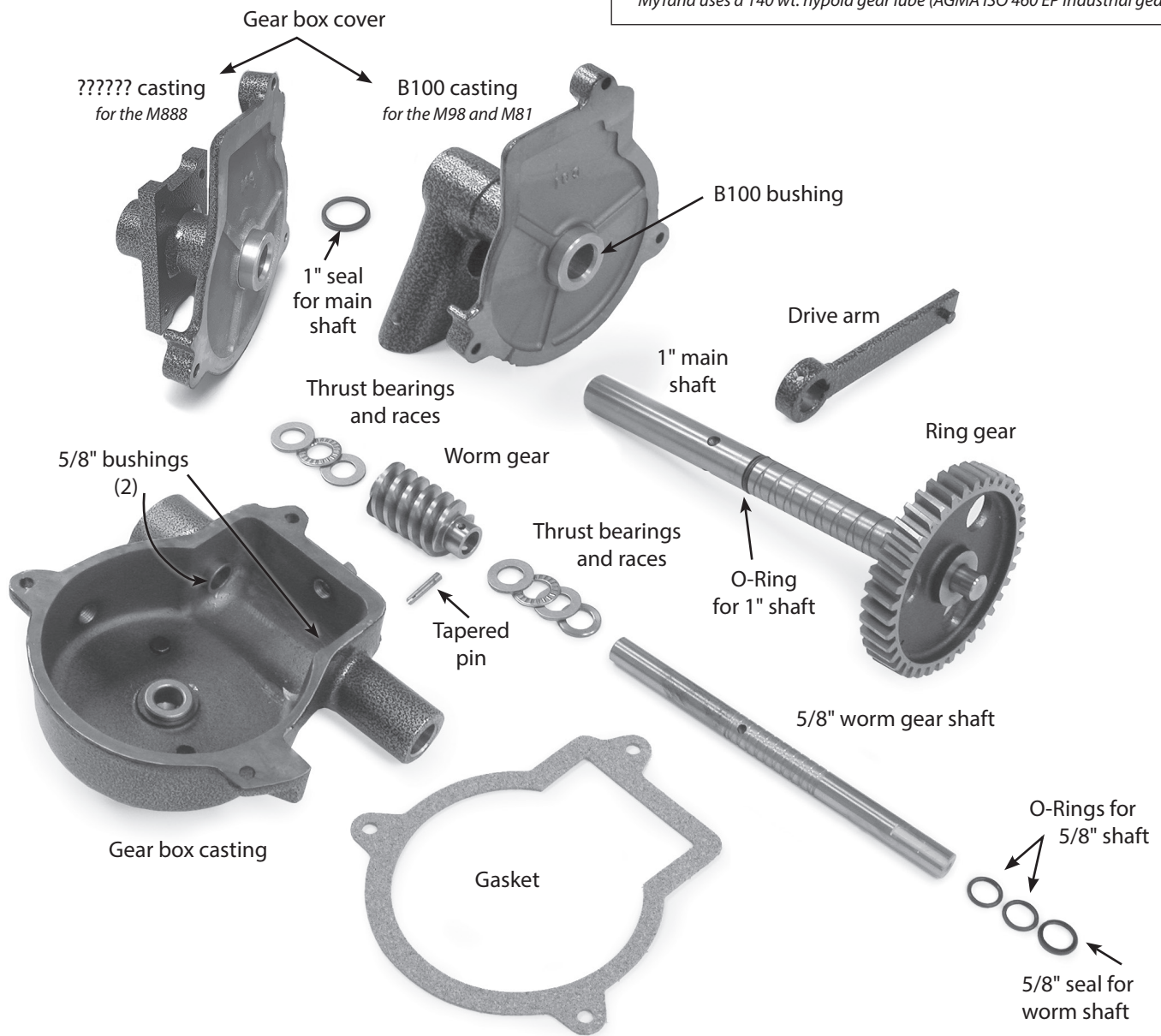
To check the oil level in the gearbox:

1. Remove the bolt on the left side of the gearbox. The oil level should be up to the level of this hole.
2. If you need to add oil, remove the bolt at the top of the gearbox and add more in that opening.

Add only enough until it comes out the side opening. Don't fill higher than this level.

Gearbox on M81

MyTana uses a 140 wt. hypoid gear lube (AGMA ISO 460 EP Industrial gear oil)



100720



www.MyTana.com

746 Selby Ave • St. Paul, MN 55104

fax: 651.222.1739

1.800.328.8170

Factory Direct Customer Service

M-F 7am - 5pm CST

Competent • Polite • Clear